

QuadreLine Caresign

Antibacterial door messenger with 3 push buttons

- Possibility of integration with Software Development Kit



Technical specifications

Card types	Mifare UID (4, 7 & 10 byte ID)	EM4xxx
Power in	12-24 VDC	
Max. power consumption	12VDC: 1100mA - 24VDC: 550mA	
Main network	RS 485	
Signalisation	Indicative beeper	
Buttons	3 projective capacitive buttons (only suitable for dry environment)	
Indicators	10 indicative 254bit LEDs (16.8M colours) - 3 LEDs behind each button - 2 x 3 LEDs along the side in the longitudinal direction (corridor) and the front (eg reflection from the wall) - 1 powerLED (safety) indication behind logo	
Visibility	180° visibility > 40m	
Relay	1 relay 1A, 30Vdc – 0.5A, 125Vac (resistive load) with common, normal open, normal closed contact	
Digital input	1	
Front	Scratch resistant front in glass	
Dimensions (W x H x D)	130 x 80 x 14 mm	
Mounting box	Type Helia-9064-01 and Helia-276, Bticino-PB503 and Bticino-503E	
Option	Mounting bracket	
Warranty	2 years	

Mifare UID (4, 7 & 10 byte ID)

MFOICU1 - MIFARE Ultralight contactless single-ticket IC

MFOICU2 - MIFARE Ultralight C - contactless ticket IC

MFOULx1 - MIFARE Ultralight EV1 - contactless ticket IC

MF1S50yyX/V1 - MIFARE Classic 1K - Mainstream contactless smart card IC for fast and easy solution development

MF1S70yyX/V1 - MIFARE Classic EV1 4K - Mainstream contactless smart card IC for fast and easy solution development

MIFARE DESFire EV1 2K - MIFARE DESFire EV1 contactless multi-application IC

MIFARE DESFire EV1 4K - MIFARE DESFire EV1 contactless multi-application IC

MIFARE DESFire EV1 8K - MIFARE DESFire EV1 contactless multi-application IC

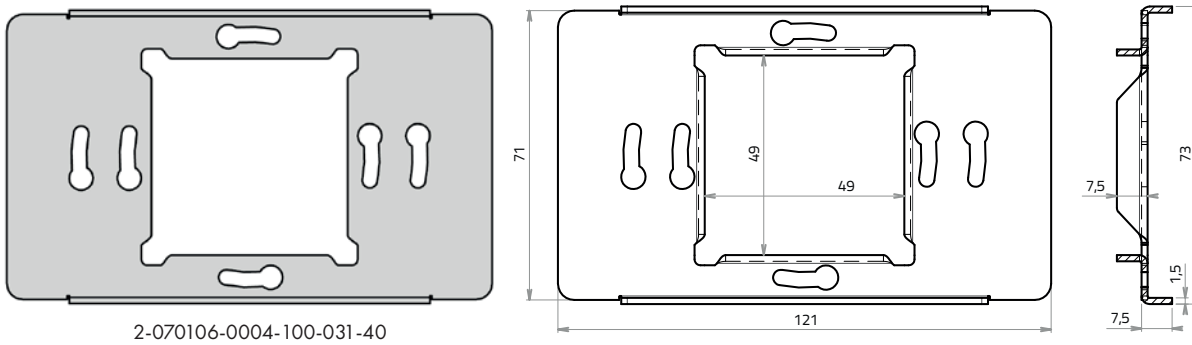
References

Mifare UID (4, 7 & 10 byte ID)	1-090206-0002-000-000-00
EM	1-090206-0001-000-000-00

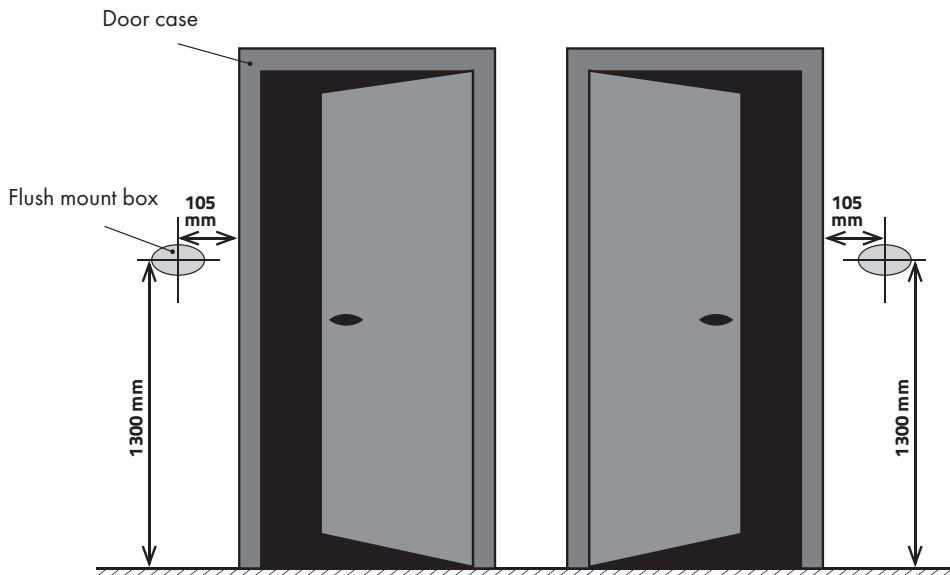
► **DIMENSIONS**



Mounting bracket



2-070106-0004-100-031-40



Hollow wall box:



Bticino-PB503

Helia-9064-01

Mounting box for bricklaying:



Bticino-503E

Helia-276

