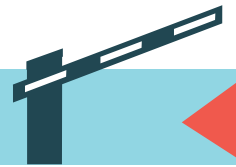


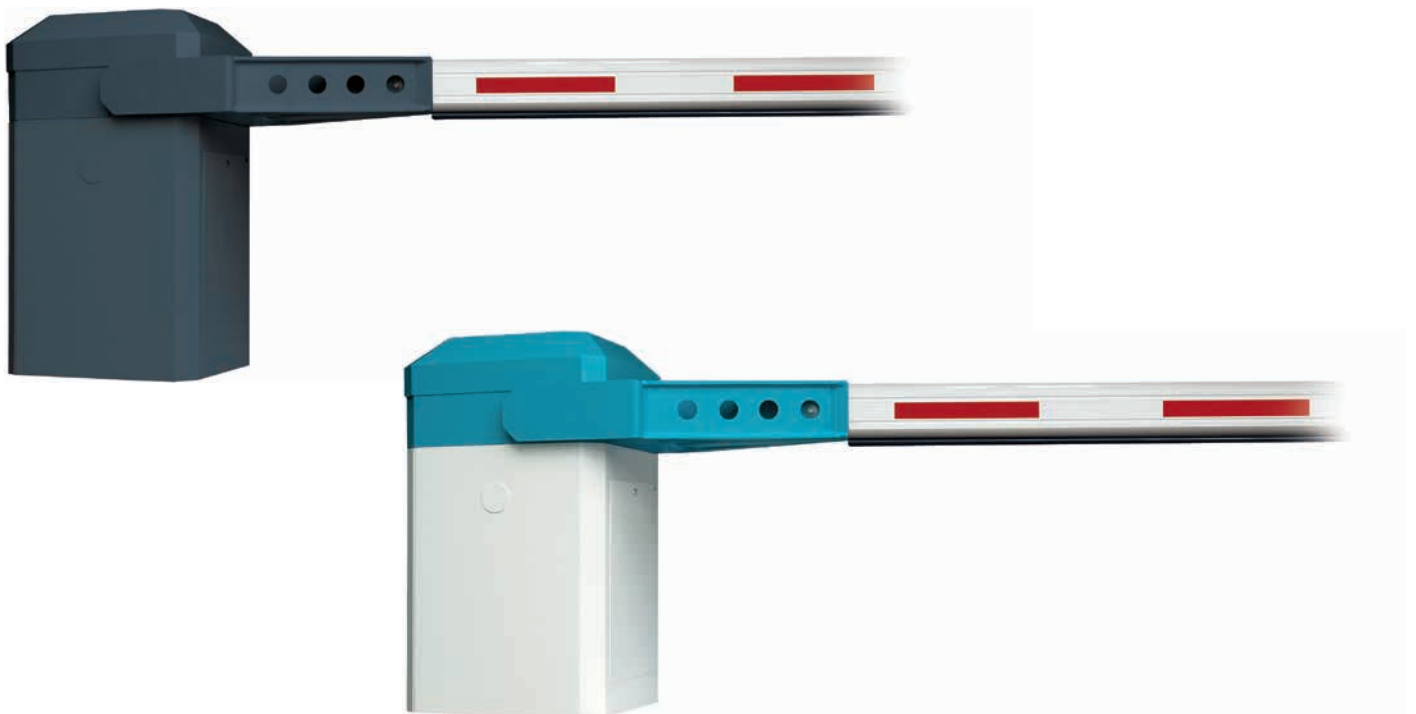
# Torqus Maxxus

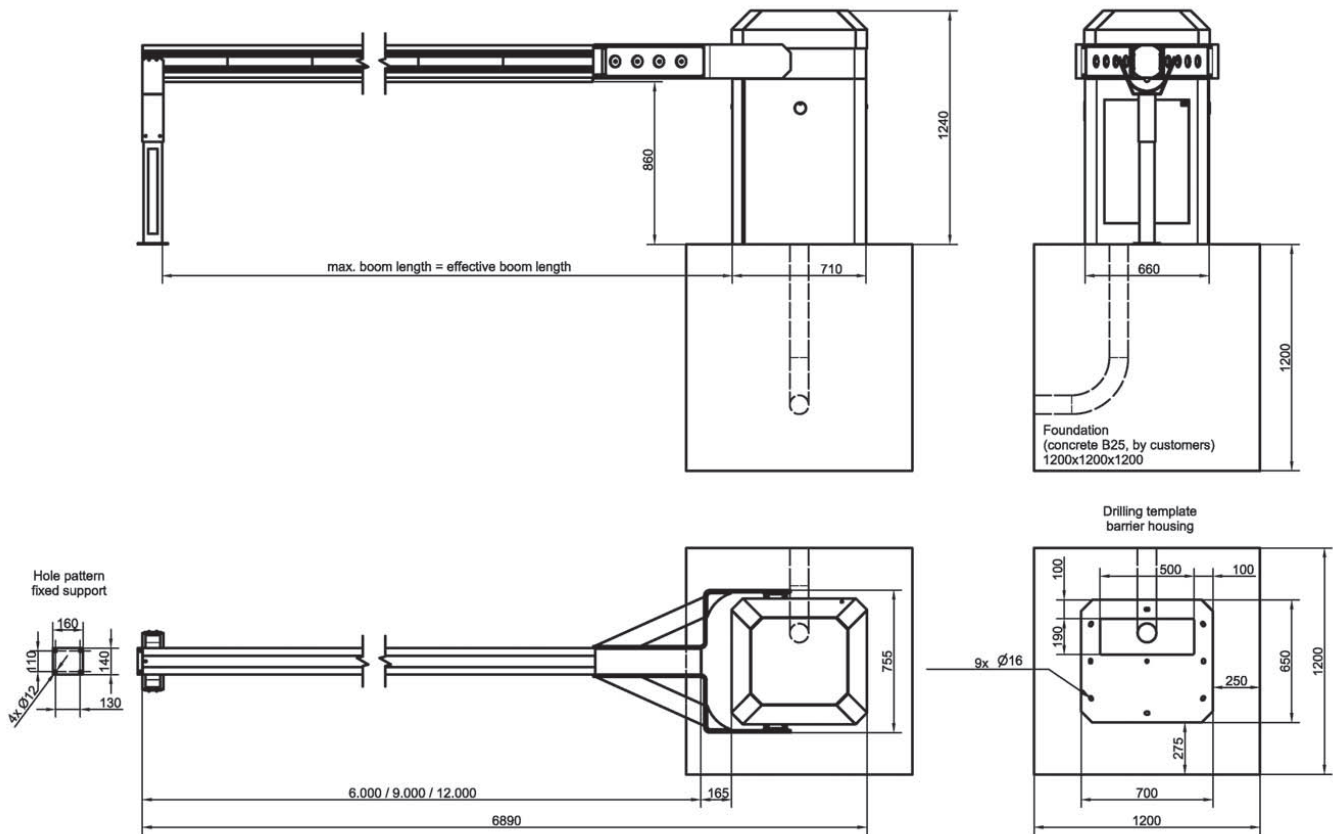


Barriers for specific, sturdy requirements boom length 6, 9 or 12m.

► **BARRIER CONTROLLER:**

- Three 1-channel detectors integrated
- Multifunctional relays (make contact), potential-free, max. 24V, 1A
- Multifunctional relays (make contact), 230V, max.120W
- 4 x 7-segment-display
- Input constant open/closed
- Cycle counter
- Service counter, settable
- Reset function
- Error memory
- Pre-warning time open"/closed programmable
- 12Vdc and 24Vdc, stabilized, each 500mA, together 700mA for periphery equipment
- Flashing light 230V connectable
- Traffic light connection, 230V, red or green
- Photo-cell connection with testing function for max. 6 photo-cells
- Running time control
- Re-opening on obstacles without safety contact profile
- Status indication
- One-button operation with serial switching
- Three-button operation / OPEN-STOP-CLOSE
- Status indication boom open/closed
- Barrier reverses immediately after a definite closing signal selectable
- Storing of opening signals selectable
- Socket for radio remote control receiver
- TRIACS
- Information is saved during power failure
- **Power supply:** 230V/50HZ





|   | maximum length | 5 m  | 6 m       | 8 m       |
|---|----------------|--|-----------|-----------|
| Opening time (sec)                                      |                | 6,0  | 9,0       | 12        |
| Effective boom length (m)                               |                | 6  | 9         | 12        |
| Dimensions boom h x w (mm)                              |                | 170 x 40   |           |           |
| Boom weight (kg)  |                | 27   | 58        | 71,5      |
| Housing   |                | Alumium, RAL5012/9010                                |           |           |
| Dimensions housing L x W x H (mm)                       |                | 720 x 656 x 1250                                     |           |           |
| Foundation (mm) to provide at the place of installation |                | 1200 x 1200  |           |           |
| Barrier weight (kg)                                     |                | 415  | 430       | 465       |
| Current voltage   |                | 230 V/50Hz   |           |           |
| Power consumption                                       |                | 0,55kW   | 0,55kW    | 1,1kW     |
| Nominal current   |                | 7A   | 7A        | 10A       |
| MTBF  |                | to 5,000,000 cycles                                  |           |           |
| Position barrier boom                                   |                | Left- or righthand                                   |           |           |
| Warranty  |                | 2 years (10 years warranty against rust perforation) |           |           |
| Fixed support / swinging support                        |                | Option   | Necessary | Necessary |
| Barrier skirt   |                | Option   | Option    | Option    |
| Barrier skirt below and above                           |                | Option (max 6 m)                                     |           |           |